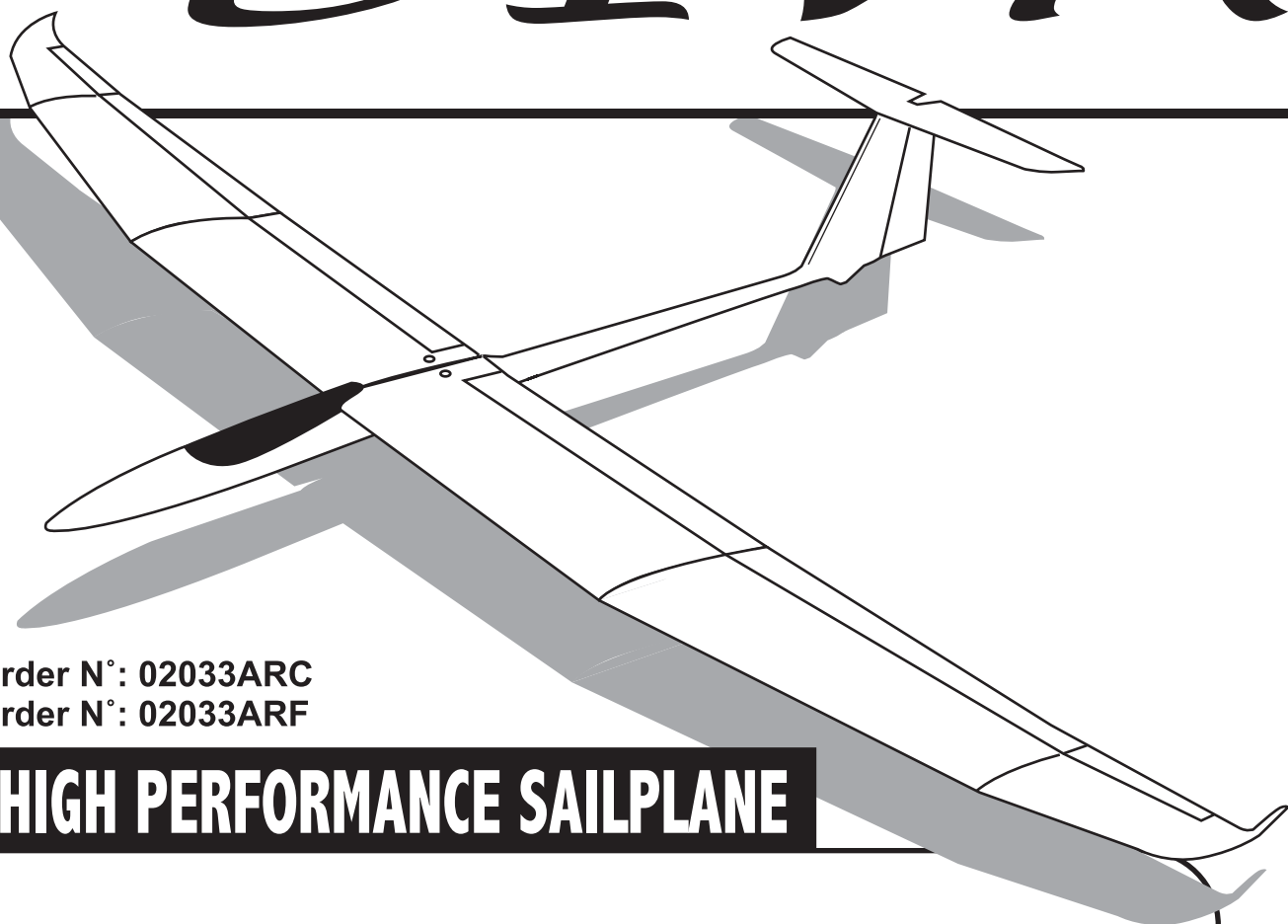
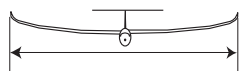


DIVA

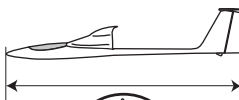


Order N°: 02033ARC
Order N°: 02033ARF

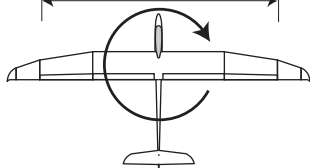
HIGH PERFORMANCE SAILPLANE



3000 mm



1570 mm



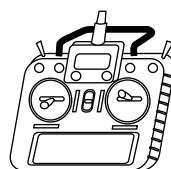
60,85 dm²
34,5-39,4 g/dm²



2,1/2,4 kg



S 7012



Radio system req'd:

ailerons-flaps: 4 micro servo
elevator: 1 micro servo
rudder: 1 std. servo

TOPMODEL CZ

WWW.TOPMODEL.CZ.COM

TOPMODEL CZ s.r.o., 679 05 Habrůvka 100, Czech Republic, e-mail: info@topmodelcz.cz

02033	GB	Parts list			Spare part Order. No
Part #	Part name	Material, dimensions	Loose	In bag	
	building instructions		1	-	
1	fuselage	fibreglass	1	-	02033-1
1-A	wing cover	fibreglass	-	1	2036-1A
1-2	servo tray rudder	plywood 4 mm 60 x 64 mm	-	1	02033-1-2
1-21	servo tray elevator	plywood 4 mm 52x22 mm	-	1	02036-1-21
1-4	tow hook	Stell Ø 3mm, nut M3, washer	-	1	05023.1
1-5	tow hook support	plywood 3 mm 50x 16mm	-	1	
2	wing	foam core-Balsa	3	-	02033-2ARF 02033-2ARC
2-1	aileron	foam core-Balsa	2	-	
2-11	flaps	foam core-Balsa	2	-	
2-1A	ailerons coupler	piano wire Ø 1,5 mm x 15 mm	-	2	519.1,5
24	wing joiner	steel Ø 6 x 170 mm	-	2	02033-24
2-21	centering pin	fibreglass Ø3 x 25 mm	-	2	6BI21828
2-23	winglet	fibreglass	2	-	02033-23
2-24	winglet fixing	fibreglass Ø 4 x 30 mm	-	4	6BI21829
2-2	wing fixing screw	steel M5x20	-	2	020SCM520
2-25	wing pin	fibreglass Ø 6 x 65 mm	-	1	6BI21831
2-3	nut	Al M5	-	2	1024 AL
2-31	nut mount	plywood 5 x 50 x 25 mm	-	1	02036-2-31
2-4	servo wing mount	polyuretan 13mm	-	8	05028
2-41	wing servo cover	ABS plastic Ø 65 x 0,5 mm	-	4	05018
2-5	aileron-flap pushrod	piano wire Ø1,8/M2 x 200 mm	-	4	0166240
2-6	clevis	plastic clevis little	-	4	2110
2-8	ailerons horn	fiberglass plate 1,5mm	-	2	05070
2-9	flaps horn	fiberglass plate 1,5mm	-	2	050702
3	elevator	balsa assembly with carbon tubes	1	-	02033-3ARF, 02033-3ARC
3-2	stabilizer support	nylon reinforced fibreglass	-	1	02033-3S
3-3	axle	piano wire Ø 4 x 14 mm	-	1	
3-4	stabilizer fixing screw	nylon M4 x 17 mm	-	1	1310
3-41	positioning pin	fibreglass Ø 1,5 x 12 mm	-	1	6bi218262
3-5	elevator link	piano wire Ø 1,8 x 200 mm, M2	-	1	0166240
3-6	threaded link	Screw-lock pushrod connector M2	-	1	2762 AL
3-7	clevis + nut	metal clevis M2 + nut M2	-	1+1	1312141.1
4	rudder	balsa assembly	1	-	02033-4ARC, 02033-4ARF
4-1	rudder control cables	steel cable 0,5mm with accessories	-	1	2302
4-11	exit rudder control	plastic tube Ø3/2, lenght 45 mm	-	2	M2O1000
4-2	rudder horn	fibreglass plate 1,5 mm	-	1	05032
4-3	closing strip	plywood 4 mm 256x23 mm	-	1	02036-4-3
6	canopy	fibreglass	1	-	02033-6
6-1	front locating pin	piano wire Ø 1,5	-	1	519.1,5
6-2	canopy fixing	hatch latch + hard wood 3 x 5 x 20mm	-	1+1	0205022
7	stickers		set	-	02033-7
11	pinned hinge	Plastic 16x32 mm	-	2	2502

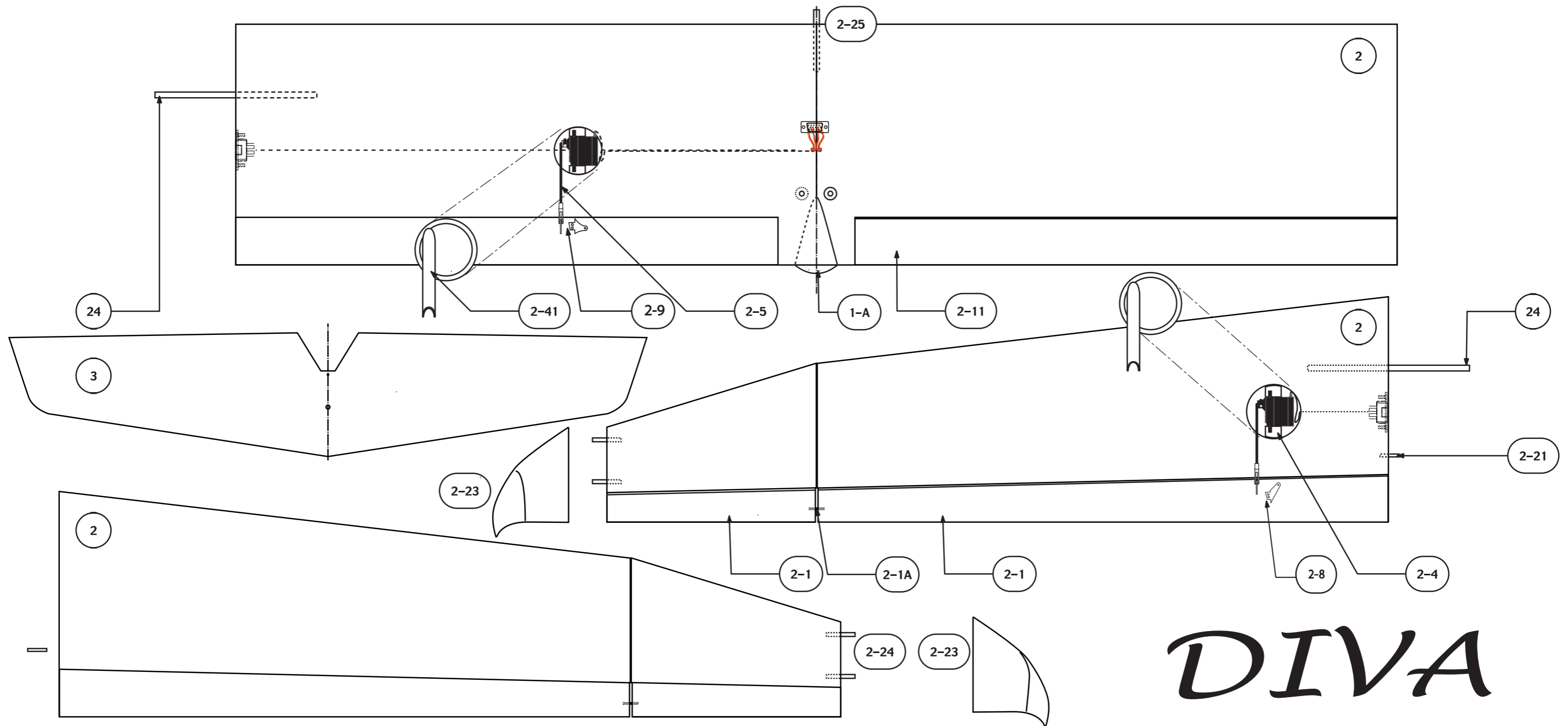
RECOMMENDED EQUIPMENT				
		Pieces		Item No.www.topmodelcz.com
servo	SAVÖX - SH-0255MG	4	for 2x ailerons, 2x flaps	1SV2110
servo	HITEC HS-485 HB	1	for rudder	1HI3085
servo	SAVÖX - SH-0255MG	1	for elevator	1SV2110

ATTENTION!

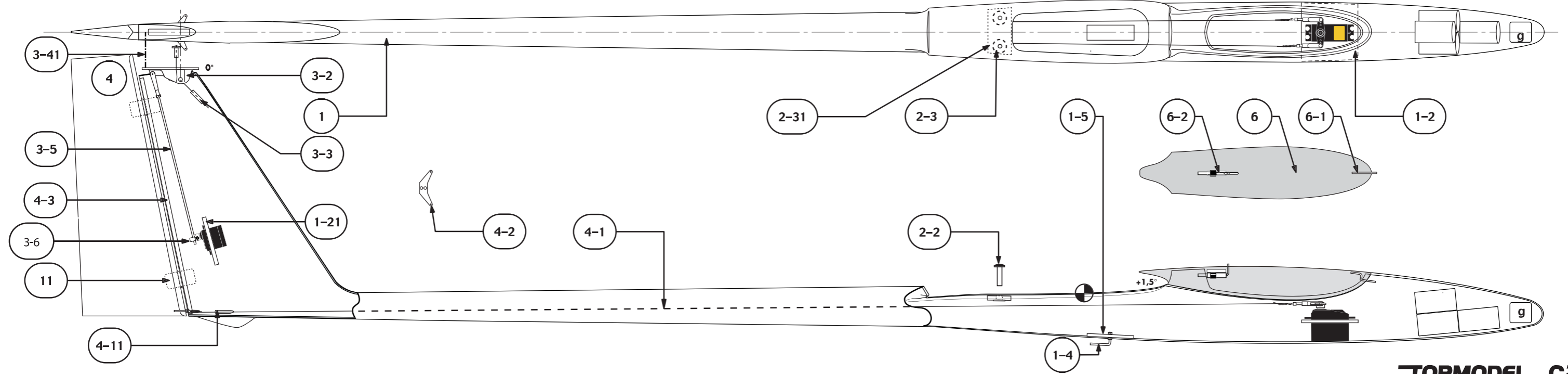
This model construction kit is not a toy and is not suitable for children under the age of 14.

Incorrect use of this model could cause material damage or personal injury. You are fully responsible for your actions when you use this model. Fly at a safe distance from occupied zones. Before switching on the radio, be sure that no one else is using the same frequency as you! Before first take-off check up please the center of gravity, the sense and size of the control surface angle and if model aeroplane parts aren't crooked. The reparation is possible through the use of hot-air dryer.

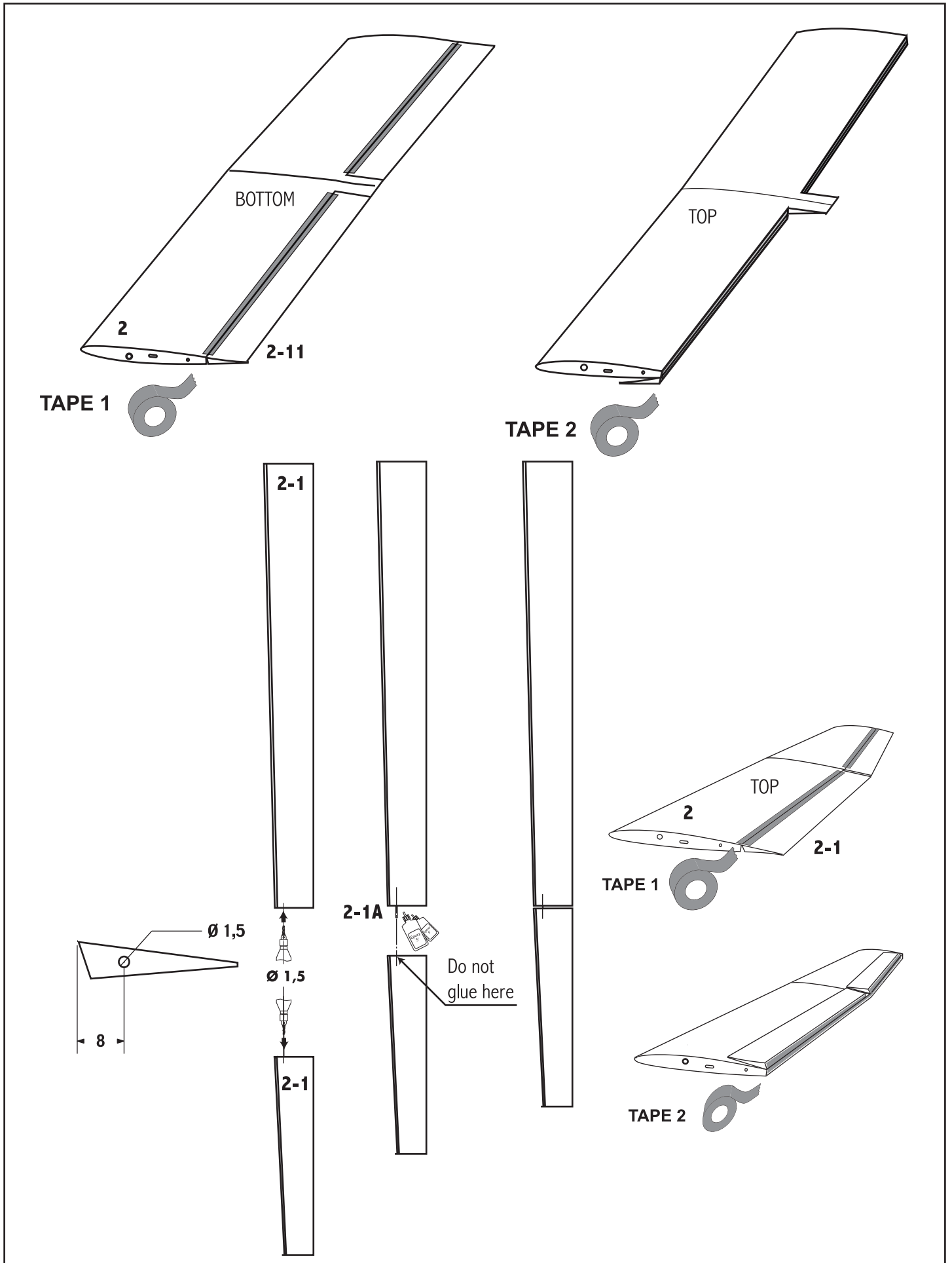
Před prvním startem zkontrolujte jestli nejsou díly modelu zkroucené. Náprava je možná pomocí horkovzdušné pistole. Dále zkontrolujte polohu těžiště, smysl a velikost vychylek kormidel.

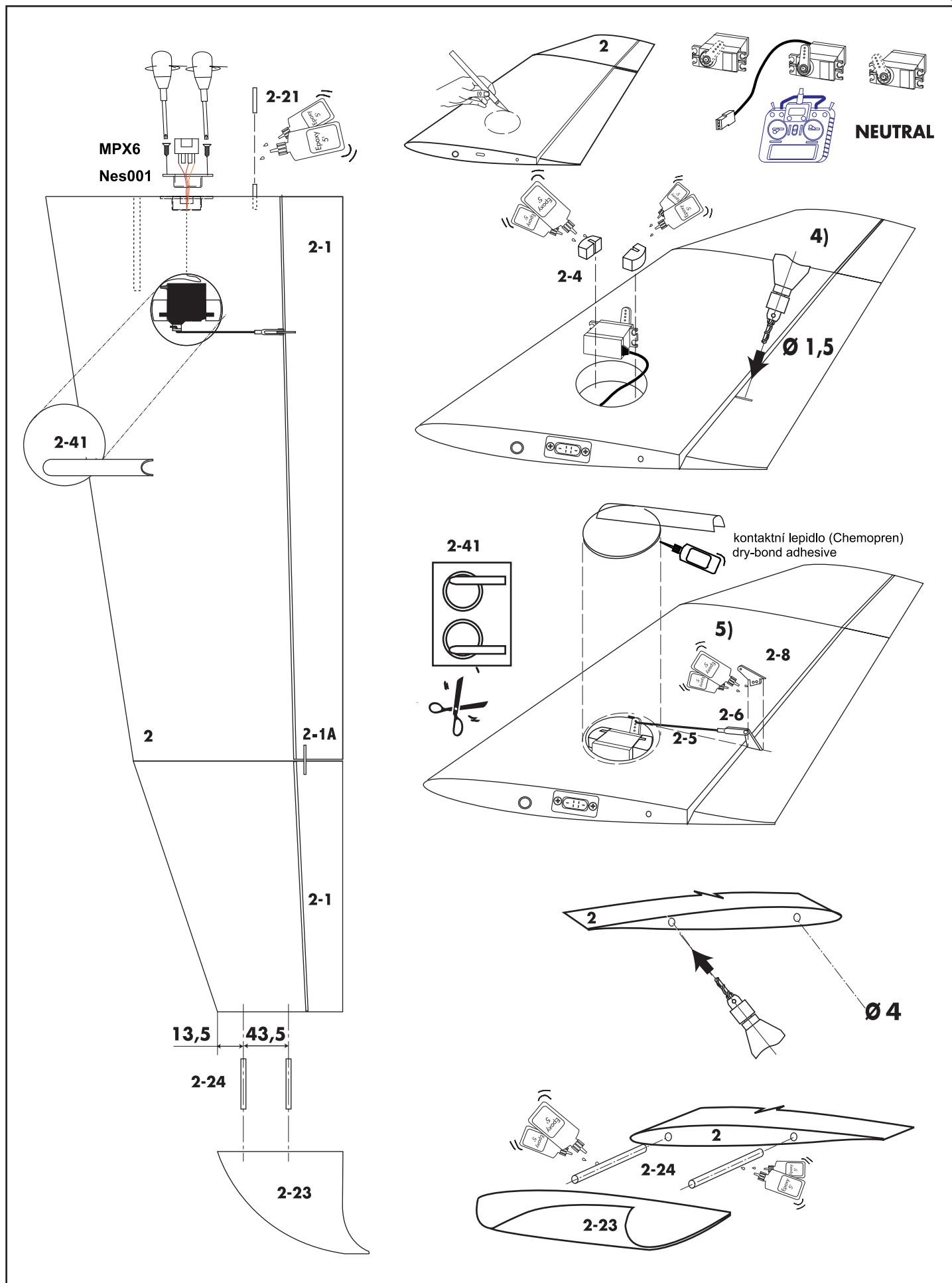


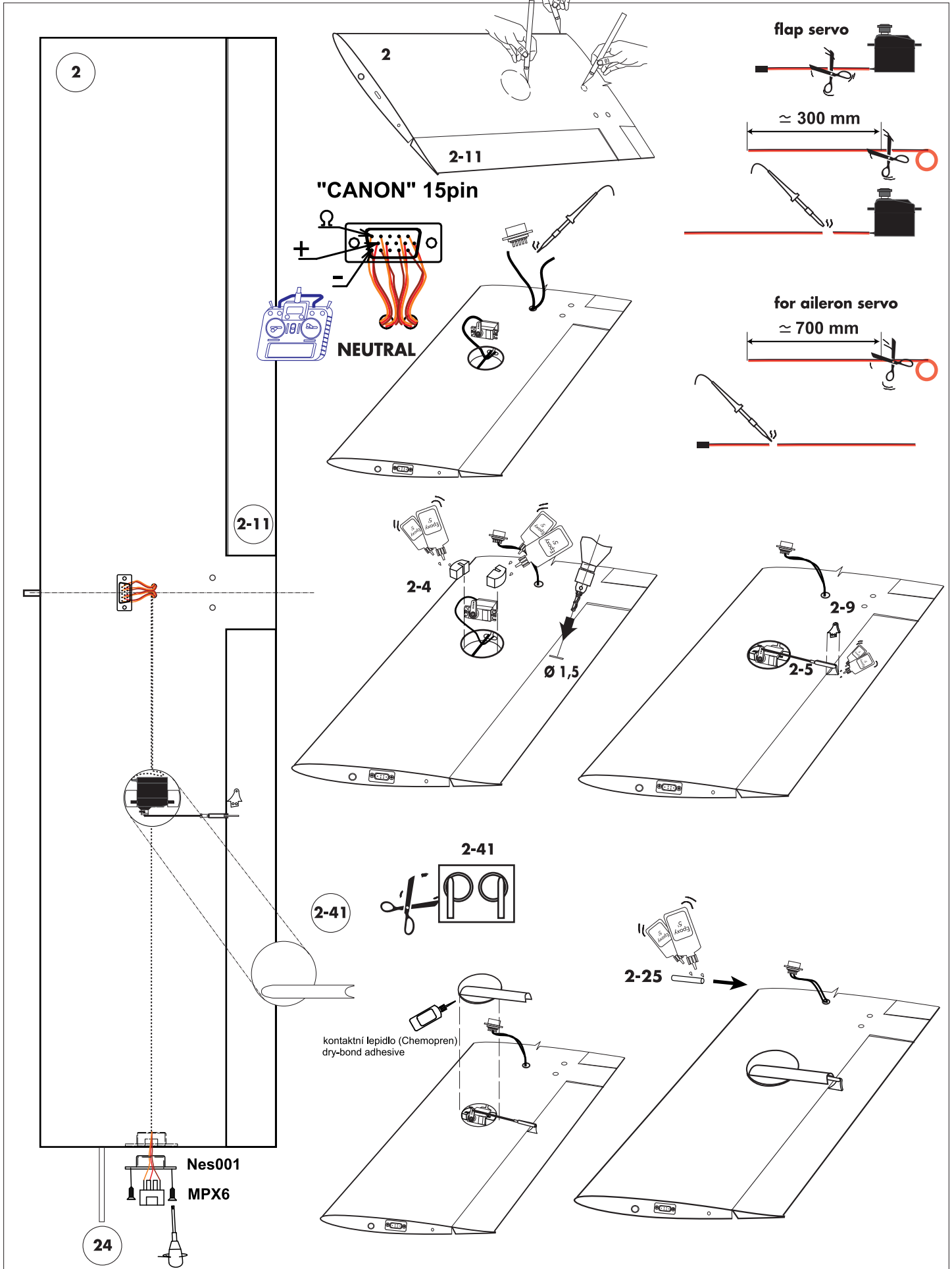
DIVA



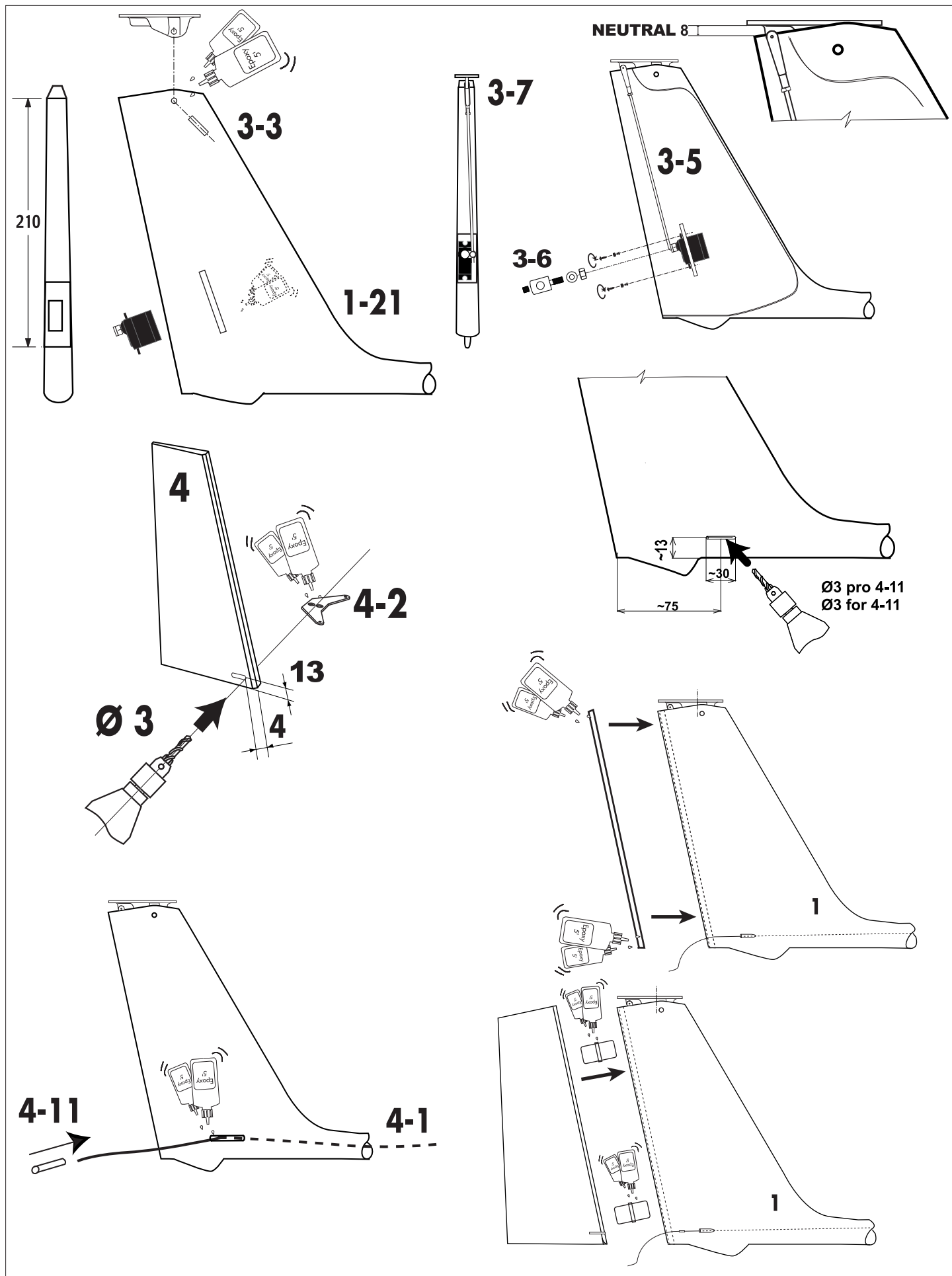
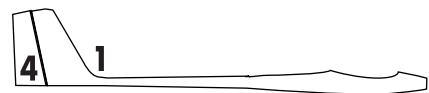
DIVA



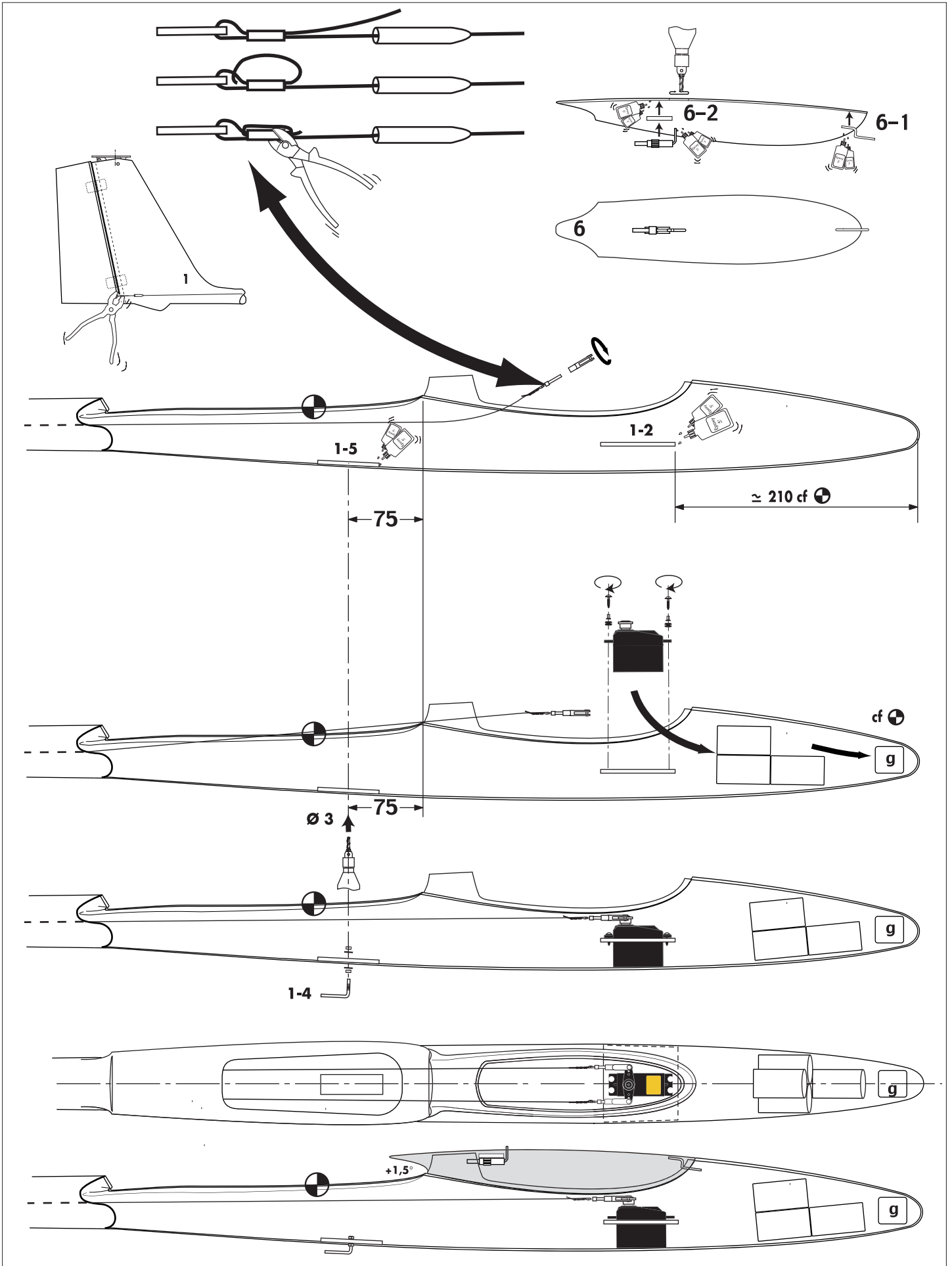




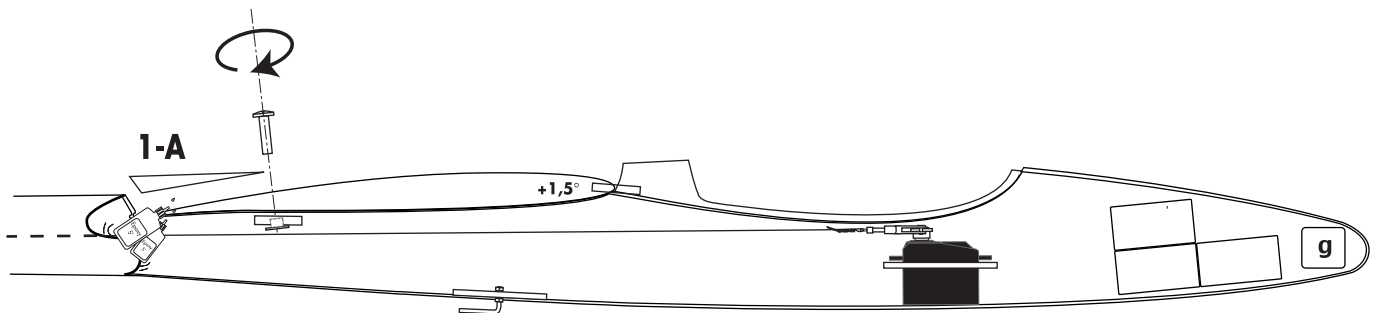
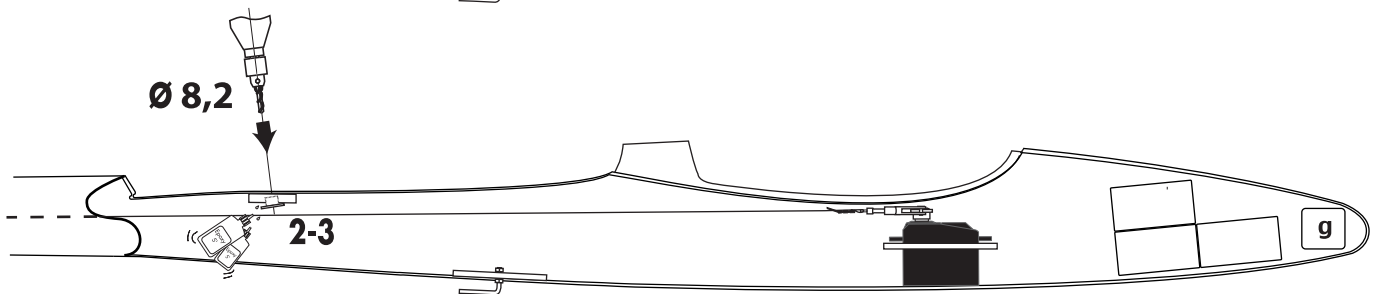
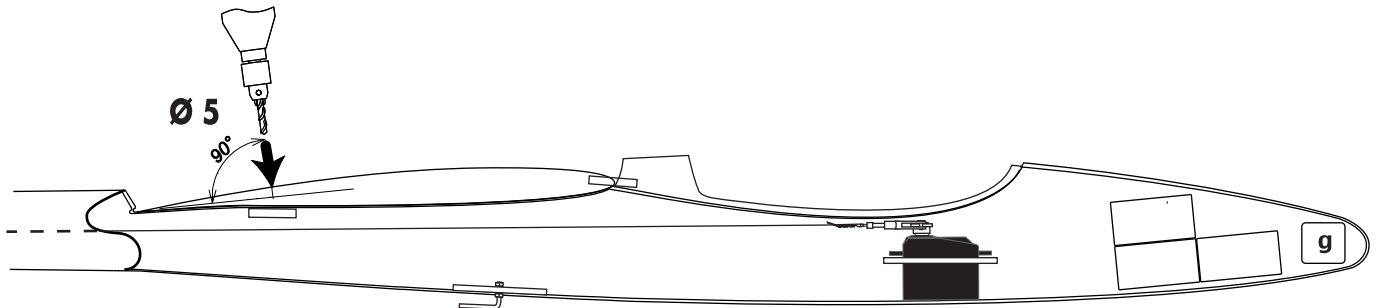
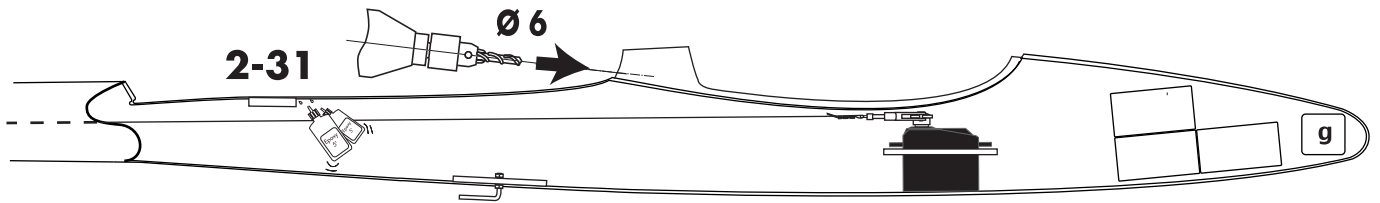
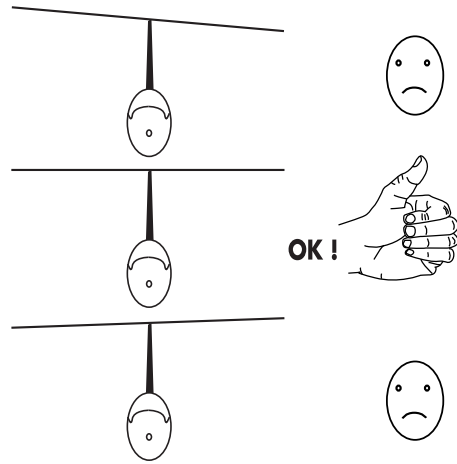
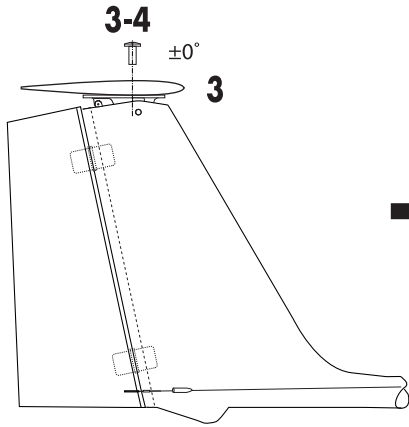
DIVA



DIVA



DIVA



DIVA

